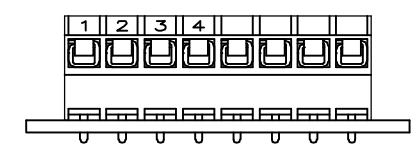
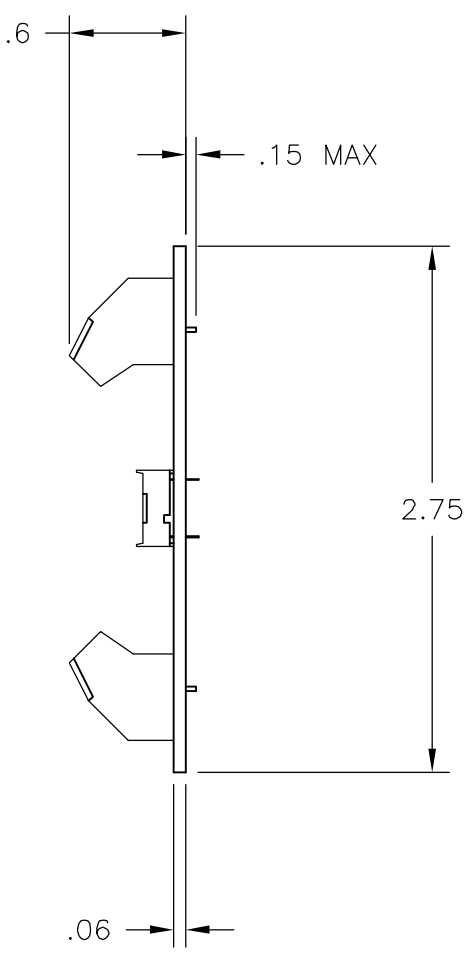
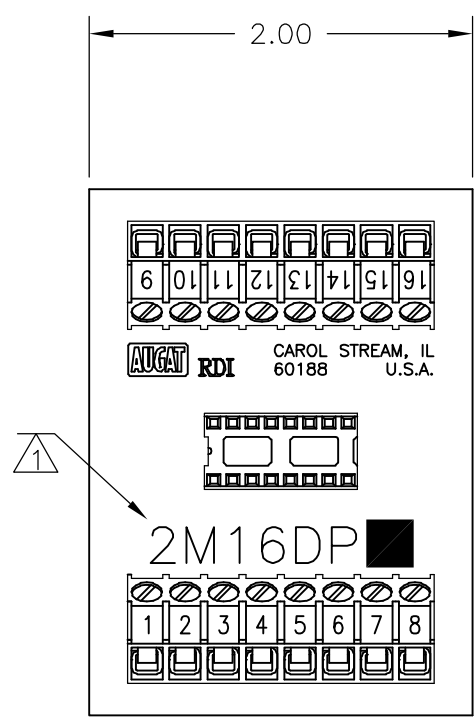


THIS DRAWING IS UNPUBLISHED. RELEASED FOR PUBLICATION
 © COPYRIGHT BY TYCO ELECTRONICS CORPORATION. ALL RIGHTS RESERVED.

LOC	DIST	REVISIONS			
P	LTR	DESCRIPTION	DATE	DWN	APVD
FT	0	A	REVISED PER ECO-05-10413	10/4/05	SS SRY



DIP SOCKET:
 MATERIALS:
 HOUSING: THERMOPLASTIC POLYESTER, 94V-0.
 CONTACTS: COPPER ALLOY, GOLD OVER NICKEL.

TERMINAL BLOCK:
 MATERIALS:
 HOUSING: THERMOPLASTIC NYLON, BLACK, 94V-0.
 TERMINALS: COPPER ALLOY, TIN PLATED.
 SCREWS: 3M, BRASS, NICKEL PLATED

ELECTRICAL:
 RATING: 10A, 300V(UL).

MECHANICAL:
 WIRE RANGE: 14-22 AWG.

MOUNTING:
 MATERIALS:
 MOUNTING: 2TK2 AND 2TK2D SERIES SNAPLOCK,
 (SOLD SEPARATELY).

- 1 CATALOG NUMBER MARKED HERE.
- 2 CONTAINS NO TIN-LEAD PLATING.

2	2M16DPL	1776600-1
	2M16DP	1437684-8
	CATALOG NO.	PART NUMBER

THIS DRAWING IS A CONTROLLED DOCUMENT.		DWN	M.S. FEHER	31MAR2004	 Tyco Electronics Corporation Harrisburg, PA 17105-3608			
DIMENSIONS: INCHES		CHK	S YODER	31MAR2004				
		APVD	S YODER	31MAR2004				
TOLERANCES UNLESS OTHERWISE SPECIFIED:		PRODUCT SPEC	-					
MATERIAL		APPLICATION SPEC	-		NAME	2M16DP ASSEMBLY		
FINISH		WEIGHT	-		SIZE	A3		
-		CUSTOMER DRAWING		SCALE	NTS	CAGE CODE	00779	
				DRAWING NO	G=1437684-8		RESTRICTED TO	-
				SHEET	1 of 1		REV	A